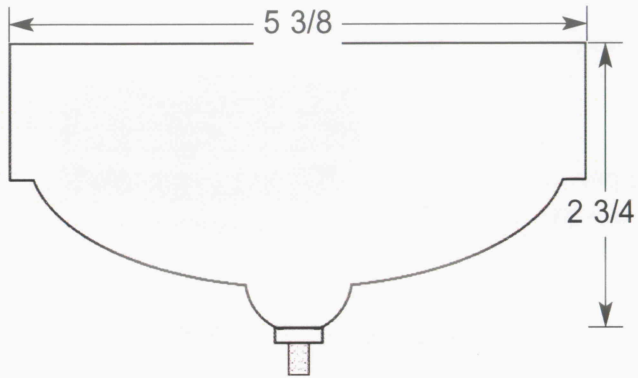


Hundreds of thousands are being used by experiment stations, institutions and commercial poultry-men, kennels, veterinary facilities, shelters, zoos, and homes.

Constructed of **stainless steel** with fittings of brass, this unique fountain with only one moving part, the **floating** inner cup, provides for a long low maintenance, trouble-free operating life.

THE ORIGINAL
JOHNSON CUP[®]
AUTOMATIC FOUNTAIN
JET-FLO[®] WATERER



LIQUID AMOUNTS

DRINKING BASIN CAPACITY ... 7OZ

UNIT TOTAL CAPACITY ... 14OZ

FLOW - .34 GAL/MIN @ 40 PSI

Retails for \$49.95

PLUS SHIPPING

Quantity Orders Discounted

We Accept:

Visa Mastercard American Express

WES-LEE PRODUCTS
PO Box 663
FARMINGDALE, NJ 07727

Manufactured & Distributed by:

WES-LEE PRODUCTS

PO Box 663 FARMINGDALE, NJ 07727

PHONE: **1-888-938-5545** OR **1-732-938-5555**

FAX: **1-732-938-7132**

wes@johnsoncup.com

Visit our website @ www.johnsoncup.com

The Creation of the Johnson Cup®

The Johnson Cup® was developed in the 1940's by inventor and philanthropist Earl B. Johnson (1896-1977) of Freehold, New Jersey.

The primary industry of the area at this time was poultry and it continued well into the 1960's.

Johnson recognized the need for a watering system that would automatically assure a constant supply of fresh water for poultry and small animals.

This led to the development of this unique fountain. The Jet-Flo® Waterer.



How the Johnson Cup® Jet-Flo® Waterer works:

The **Base Cup** is provided with a threaded pipe connection and a carefully designed precision **Jet** molded of glass filled Polypropylene.

The **Control Cup** fits loosely within the base cup and is provided with a rubber seat which rests on the jet and thereby controls the water level.

The **Cover** fully encloses the control cup and serves as a **Drinking Basin**. Water flows freely from within the Base cup into the drinking basin through an opening located slightly above the bottom of the drinking basin.

As the water is removed from the drinking basin, the control cup rises allowing more water to enter. When the proper level is reached, the weight of the water in the control cup shuts off the supply of water.

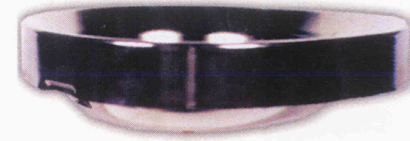
The reducer bushing screws into a 1/2" pipe fitting, an **Automatic Shut-off and Check Valve** in this bushing provides easy flushing of the water supply line and stops the flow of water when the cup is removed for cleaning. This valve also prevents backwards flow in the event of water pressure failure.

**** Note:** The Jet-Flo® Waterer is designed to work best at 20 to 45 psi water pressure. If pressure is higher, install a pressure regulator, set at 45 psi, in the supply line ahead of the waterers.

INSTALLATION INSTRUCTIONS

- 1) Apply a small amount of pipe joint compound to male thread of **Check Valve** and screw it into 1/2" pipe coupling or fitting or the water supply pipe or tubing.
- 2) Remove **Cover** (*drinking basin*) by lifting on side opposite indent on rim.
- 3) Take out center **Control Cup**, remove folded paper to protect rubber disc and Jet in shipping.
- 4) Screw **Base Cup** into check valve- **Hand Tighten Only- Do not use joint compound on 1/8" pipe fitting**
- 5) Place **Control Cup** into **Base Cup** prior to applying water pressure.
- 6) With water pressure on, start water flow into waterer by lifting the **Control Cup** off the jet approximately 3/8" until it begins to float.
- 7) Re-install **Cover** (*drinking basin*). Hold cover at an angle so as to hook side of cover with indent **on rim** first, then lower into place.

Cover -
Drinking
Basin



Control Cup



Base Cup



Automatic
Shut-Off and
Check Valve